

FIG. 1

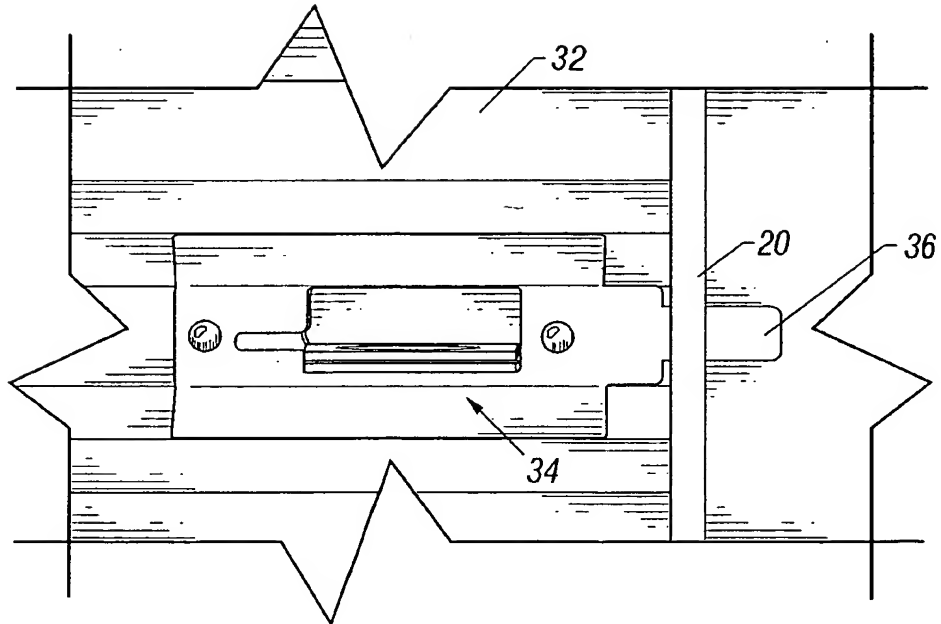


FIG. 2

202410 245001

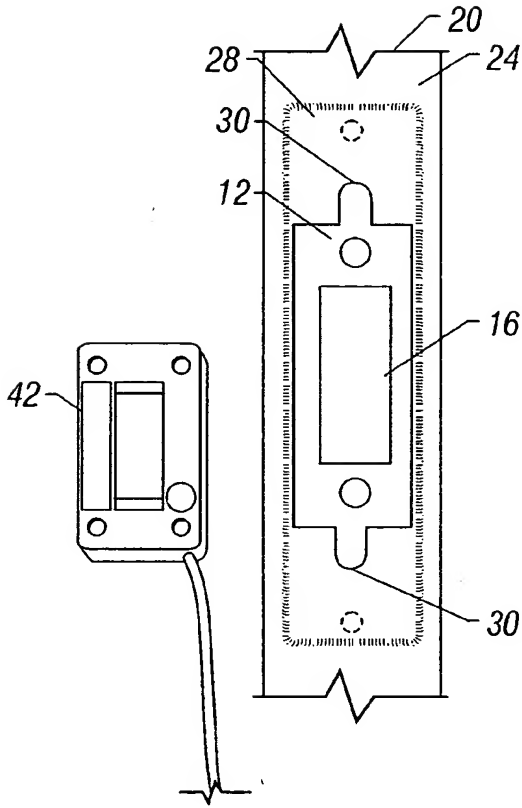


FIG. 3

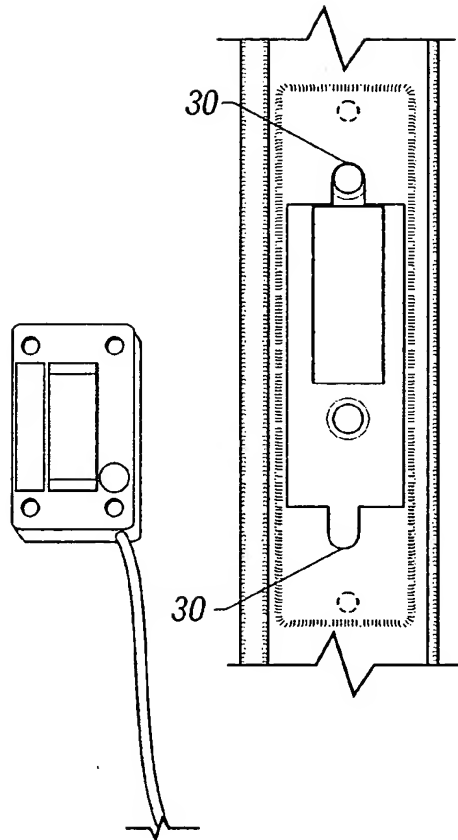


FIG. 4

ALL RIGHTS RESERVED

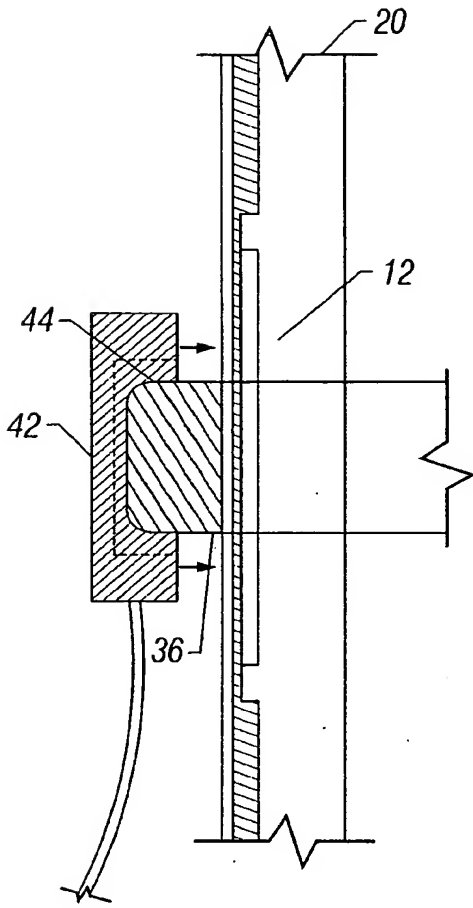


FIG. 5

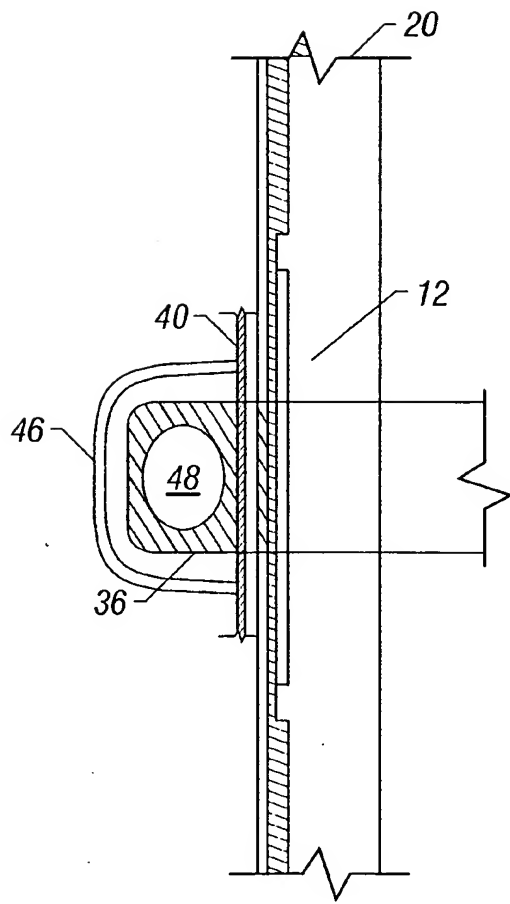


FIG. 6

2025 RELEASE UNDER E.O. 14176